



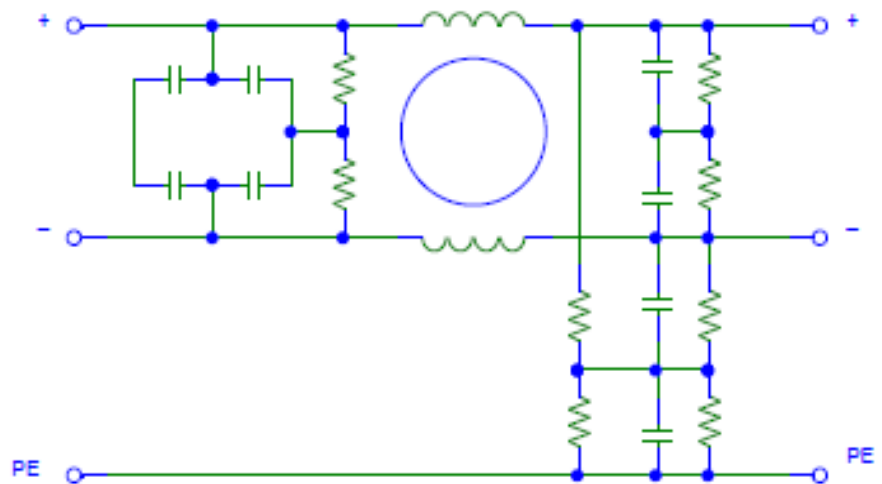
Applications

- PV SOLAR.1
- DC APPLICATIONS .2
- Frequency convertors.3
- Stepper motors drives .4
- Ups.5
- Inverters.6

Technical Specification

Part No.	Rated Current (Amps)	Case	Termination
MF 610 BB	50A -150A	D1/D2	Connectors
MF 610 BB	250A – 1000A	D3/D4	Bus Bar

Circuit Diagram



Technical Specifications

Max Continuous Operating Voltage
Current rating
Current overload

Max.1200VDC
50A - 1000A
4 x rated current at switch on
1.5 x rated current for 1 minute, once per hour

High Potential Testing (1 Minute)

Line to Ground
Line to line
Temperature range
Design meets

3600VDC
3000VDC
-25°C to 85°C (25/85/21)
UL 1283, CSA 22.2 No.8 1986, IEC/EN 60939



EMI Solutions Pvt. Ltd.

#237-A5, KIADB Industrial Area, Bommasandra, Hosur Road, Bangalore-560 099, Marketing: +91 80 27836880
Email: marketing@emisindia.com