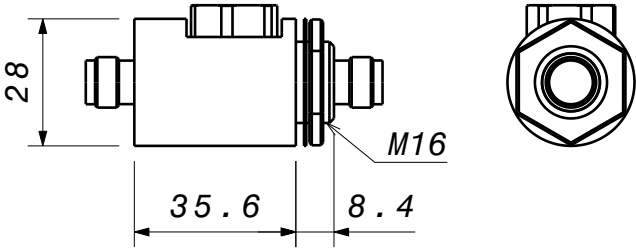
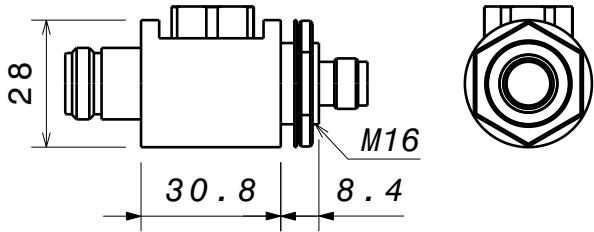
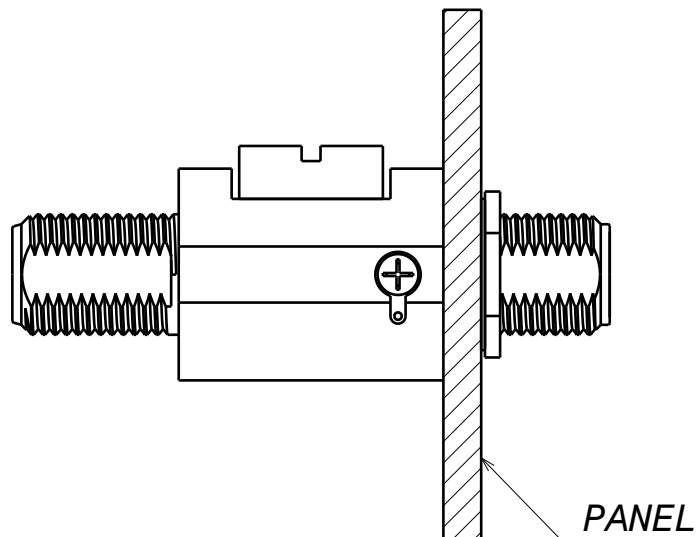


COAXIAL EMP SURGE PROTECTOR (SECONDARY)

	
<p>TNC (F) - TNC (F) TNC (F) - BNC (F) SAME</p>	<p>N (F) - TNC (F) N (F) - BNC (F) SAME</p>

MOUNTING



Dimensions in millimeters and are subject to change without notice.