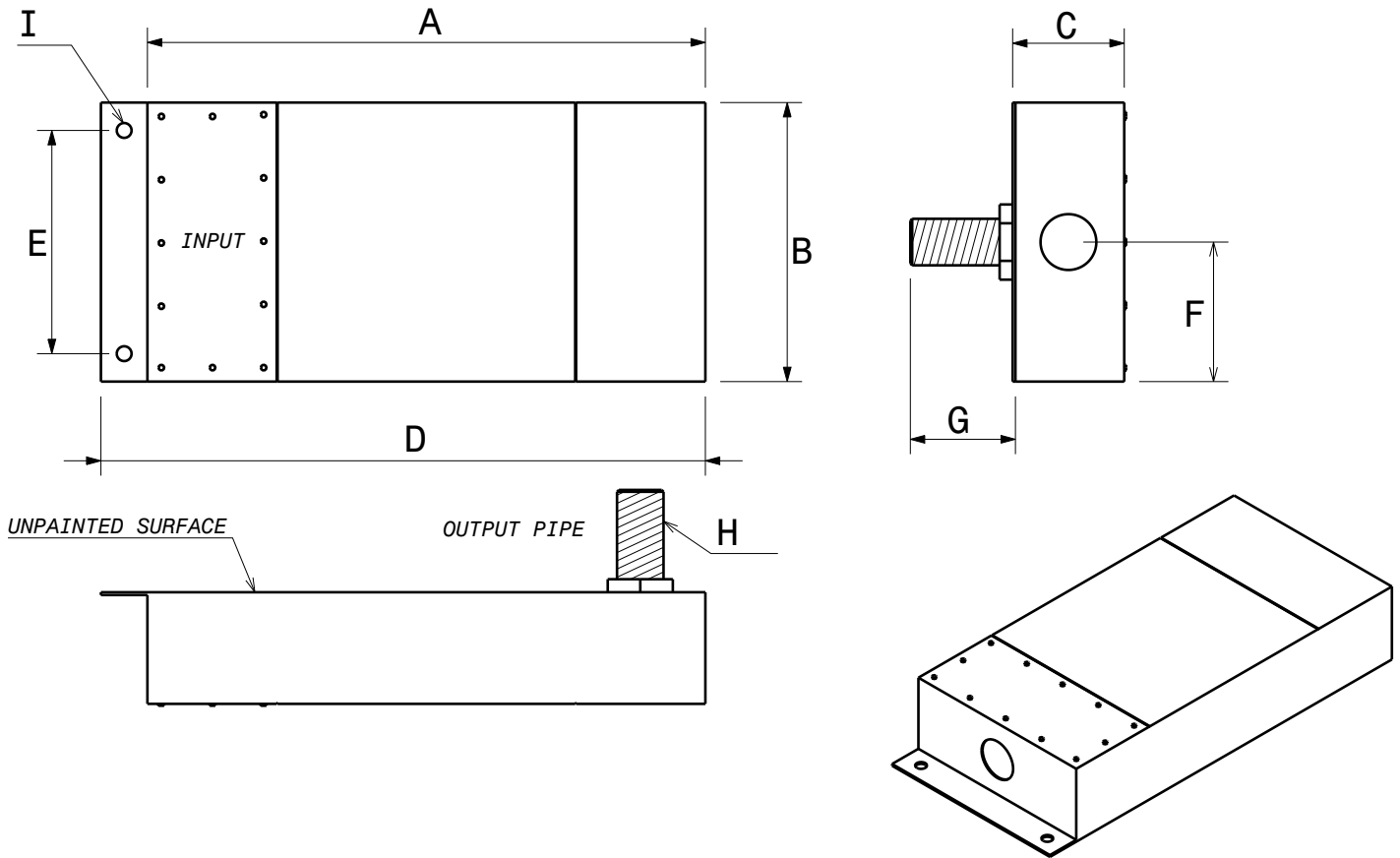


DC CONTROL LINE FILTER



TYPE	A	B	C	D	E	F	G	H	I	MAT/ PAINT
1 PAIR	420	80	55	450	50	40	100	M14	4.2	CRCA/PAINTED
2 PAIR	420	125	55	450	85	62.5	100	M20	6.2	CRCA/PAINTED
3 PAIR	420	180	55	450	130	90	100	M25	6.2	CRCA/PAINTED
4 PAIR	420	250	55	450	200	125	100	M30	8.1	CRCA/PAINTED

Dimensions in millimeters and are subject to change without notice.