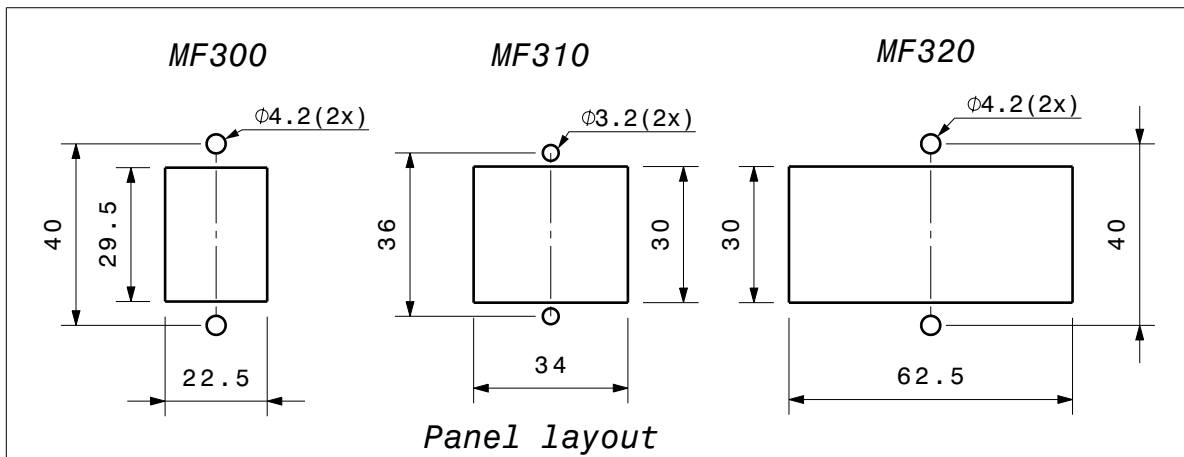
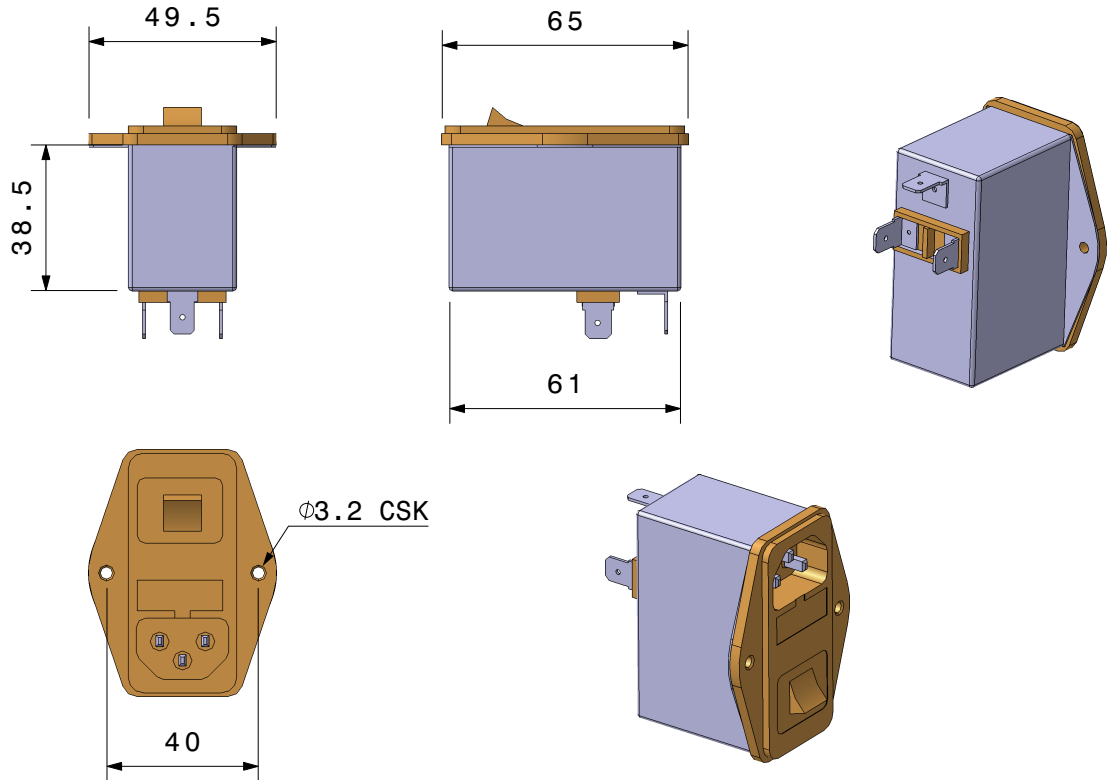


MF 300,310,320

STYLE: IEC INLET

MF320



Dimensions in millimeters and are subject to change without notice.