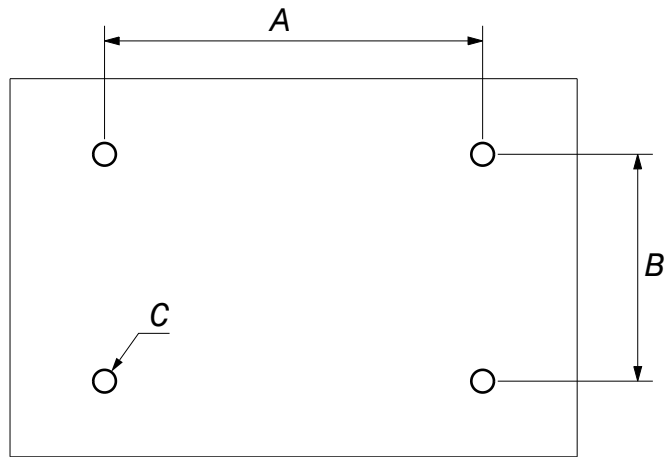
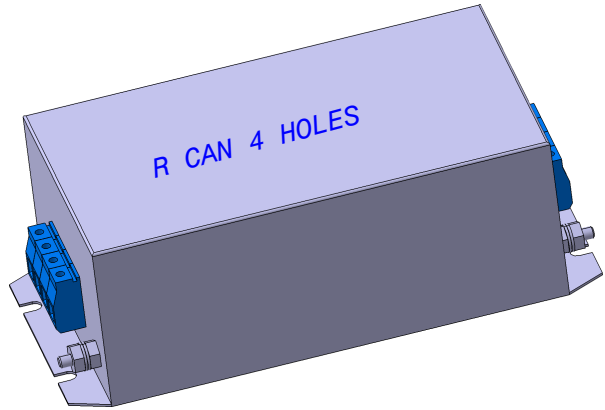
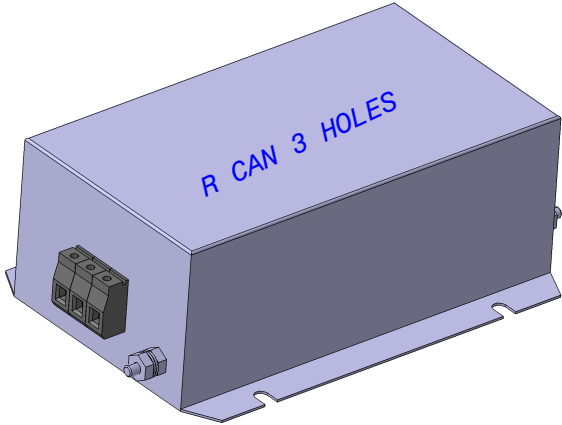


# ENCLOSURES

STYLE: CHASSIS MOUNT



PANEL LAYOUT

	R CAN (3 HOLES)							R CAN (4 HOLES)								
Ref.	R1	R2	R3	R4	R4-1	R6	R7	R1	R2	R3	R4	R6	R6-1	R6-3	R7	R8
A	110	110	131	321	136	341	256	50	115	115	329	341	341	521	257	291
B	51	116	116	121	116	171	106	110	110	135	120	170	169	150	106	105
C	5.4	5.4	6.4	10.4	6.5	10.4	6.4	6.4	6.4	6.4	10.4	10.4	10.4	10.4	5.4	6.4

Dimensions in millimeters and are subject to change without notice.